



Premier Series 18U Girls Tournament 2

Friday, March 1st & Saturday, March 2nd
 Red River College, Niverville High School & Tec Voc School



Pools and Schedule

Pool A		Pool B		Pool C	
A1	Cobras	B1	WinMan Riot	C1	BVC
A2	Wild	B2	204	C2	Strike
A3	Junior Bison 17U	B3	Westman	C3	Bandits 18 Chris
A4	Parkland Vipers	B4	Bandits 18 Craig	C4	Impact
A5	Blazers				

Friday, Mar 1st

Time	North Gym Main Court	Time	North Gym Side Court	Time	NHS Court 1	Time	NHS Court 2
5:30	A1 vs A5	5:30	A2 vs A3	5:30	B1 vs B4	5:30	C2 vs C4
6:45	A2 vs A4	7:00	A3 vs A5	6:30	B2 vs B4	6:30	C2 vs C3
8:00	A1 vs A4			7:30	C1 vs C4	7:30	B1 vs B3
				8:30	C1 vs C3	8:30	B2 vs B3

Saturday, Mar 2nd

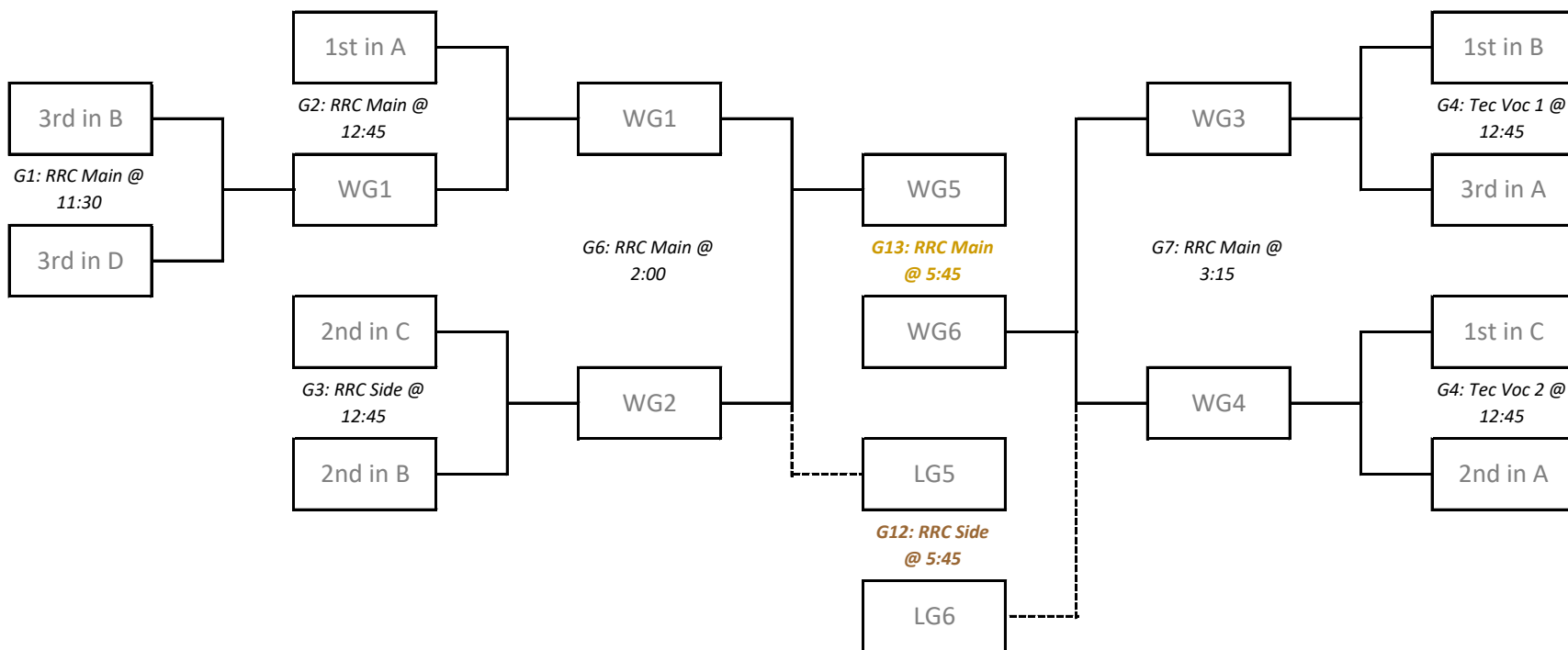
Time	North Gym Main Court	Time	North Gym Side Court	Time	Tec Voc Court 1	Time	Tec Voc Court 2
9:00	B3 vs B4	9:00	C3 vs C4	9:00	A1 vs A3	9:00	A2 vs A5
10:15	B1 vs B2	10:15	C1 vs C2	11:00	A1 vs A2	10:15	A3 vs A4
11:30	3rd in B G1 3rd in C					11:30	A4 vs A5
12:45	1st in A G2 WG1	12:45	2nd in B G3 2nd in C	12:45	1st in B G4 3rd in A	12:45	1st in C G5 2nd in A
2:00	WG2 G6 WG3	2:00	LG2 G8 LG3	2:00	LG1 P1 5th in A	2:30	4th in C P2 4th in B
3:15	WG4 G7 WG5	3:15	LG4 G9 LG5	3:15	4th in A P3 WP1		
4:30	WG8 G11 WG9	4:30	WG8 G10 WG9	4:45	WP2 P5 WP3	4:30	LP2 P4 LP3
5:45	WG6 G13 WG7	5:45	LG6 G12 LG7				

Premier Series 18U Girls Tournament 2

Friday, March 1st & Saturday, March 2nd
 Red River College, Niverville High School & Tec Voc School



Championship Playoff Bracket



WG13
1st

LG13
2nd

WG12
3rd

LG12
4th

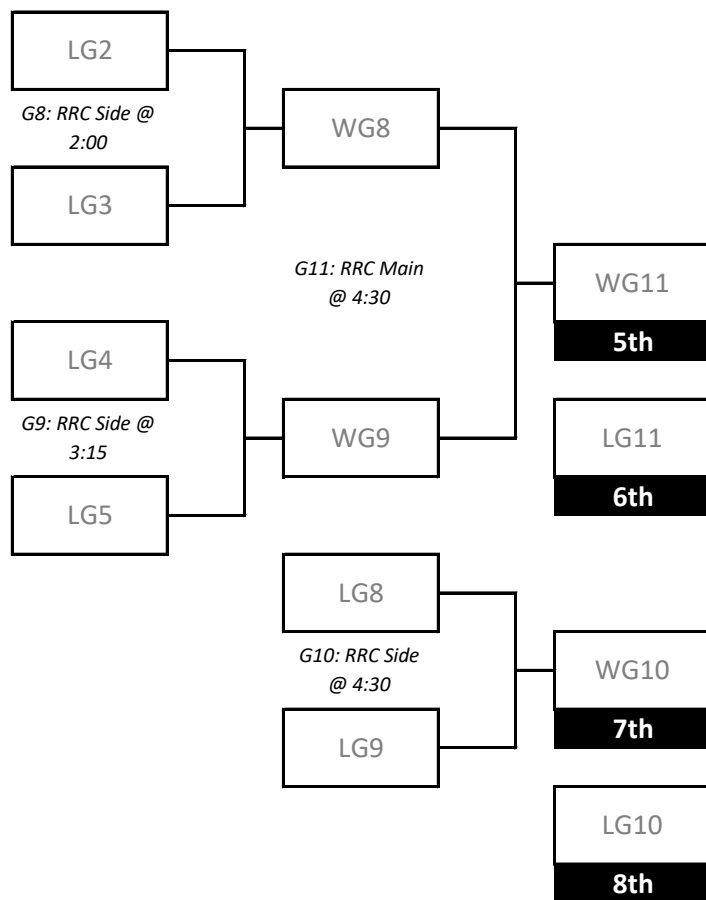


Premier Series 18U Girls Tournament 2

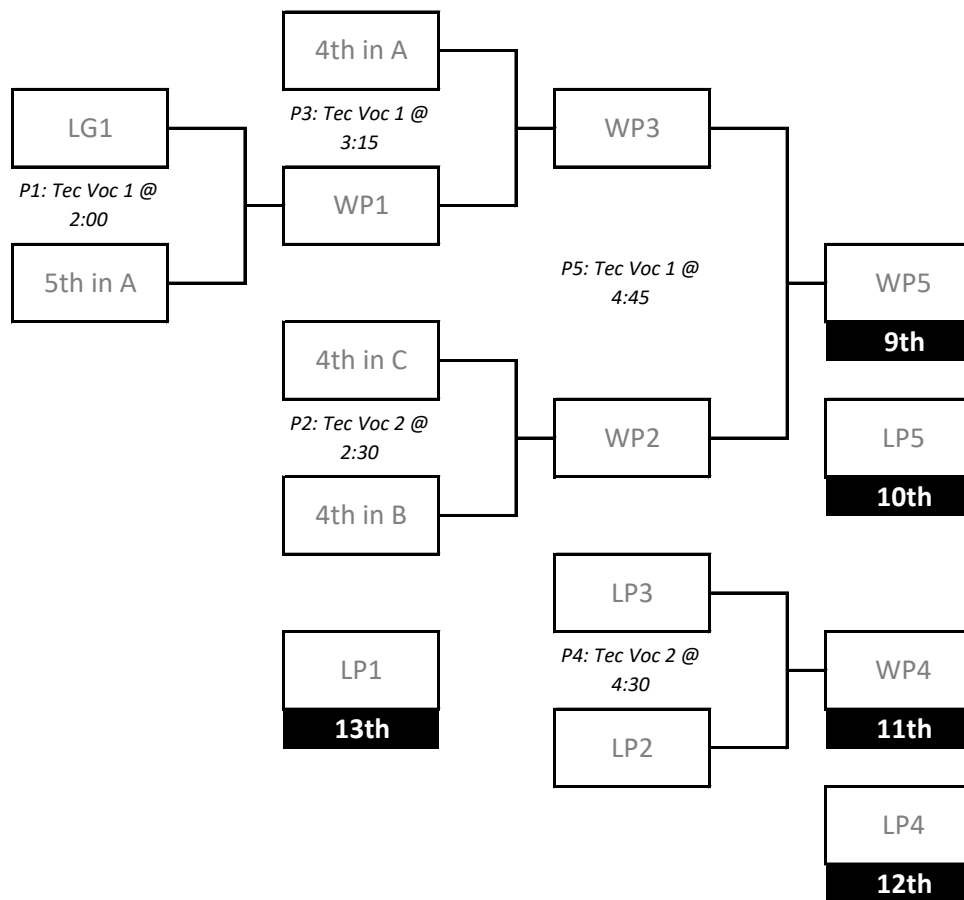
Friday, March 1st & Saturday, March 2nd
Red River College, Niverville High School & Tec Voc School



Consolation Playoff Bracket: 5th-8th (at RRC)



Consolation Playoff Bracket: 9th-13th (at Tec Voc)





Premier Series 18U Girls Tournament 2

Friday, March 1st & Saturday, March 2nd
Red River College, Niverville High School & Tec Voc School



Tournament Format & Rules

All standard Volleyball Canada Age Class Rules will be observed, with the exception/inclusion of the following:

For each match, the competing teams will be required to provide 1 volunteer each to act as scorekeepers for the match
Volleyball Canada National Championship Warm-up Protocol **will be utilized** at Volleyball Manitoba Premier and Provincial Events

All matches will be played:

Best two-out-of-three sets

First two sets are to 25, win by 2, no cap

Third set (if necessary) is played to 15, win by 2, no cap

Two 30-second time-outs per team per set

Warm-ups will consist of:

- Minimum 4 minutes shared court

- 4 minutes Team A full court

- 4 minutes Team B full court

- "Digging warm-up" during opposing team's court time is not permitted

- Referees/Tournament Supervisors will have final say over warm-up times if the tournament is running behind

Playoff seeding will be determined by:

Total matches won

If two or more teams are tied at the end of the preliminary round, the following criteria will be applied, in order:

1 - The team having the best ratio of won/lost matches, considering matches between the tied teams, will be ranked higher;

2 - The team having the best ratio of won/lost sets, considering matches played between tied teams, will be ranked higher;

3 - The team having the best ratio of won/lost sets, considering all matches of the round, will be ranked higher;

4 - The team having the best ratio of points for/against, considering sets played between the tied teams, will be ranked higher;

5 - The team having the best ratio of points for/against, considering all sets played during the round, will be ranked higher;

6 - Coin Toss

Please note the following Age Class Specific rules apply:

- 12-substitutions **unlimited**

- 18U Girls Net height measures 2.24m

- The Mikasa V200W will be used