



# 2024 18U Girls Provincial Championships

Saturday, May 4th and Sunday, May 5th  
Brandon University



## Pools & Schedule

Pool A			Pool B			Pool C		
A1	Cobras	1	B1	204 18U	2	C1	WinMan Riot	3
A2	Winnipeg Strike	6	B2	Bandits 18 Chris	5	C2	BVC 18U	4
A3	Bandits 18 Craig	7	B3	Parkland Vipers	8	C3	Westman 18U Wave	9
A4	Impact 18U	12	B4	Blazers 18U	11	C4	Wild 18U	10

Saturday, May 4th											
Time	HLC Court 1			Time	HLC Court 2			Time	Henry Champ		
10:00	B1	vs	B4	10:00	A1	vs	A4	10:00	C1	vs	C4
11:15	B2	vs	B3	11:15	A2	vs	A3	11:15	C2	vs	C3
12:30	B1	vs	B3	12:30	A1	vs	A3	12:30	C1	vs	C3
1:45	A2	vs	A4	1:45	C2	vs	C4	1:45	B2	vs	B4
3:00	A1	vs	A2	3:00	C1	vs	C2	3:00	B1	vs	B2
4:15	A3	vs	A4	4:15	C3	vs	C4	4:15	B3	vs	B4

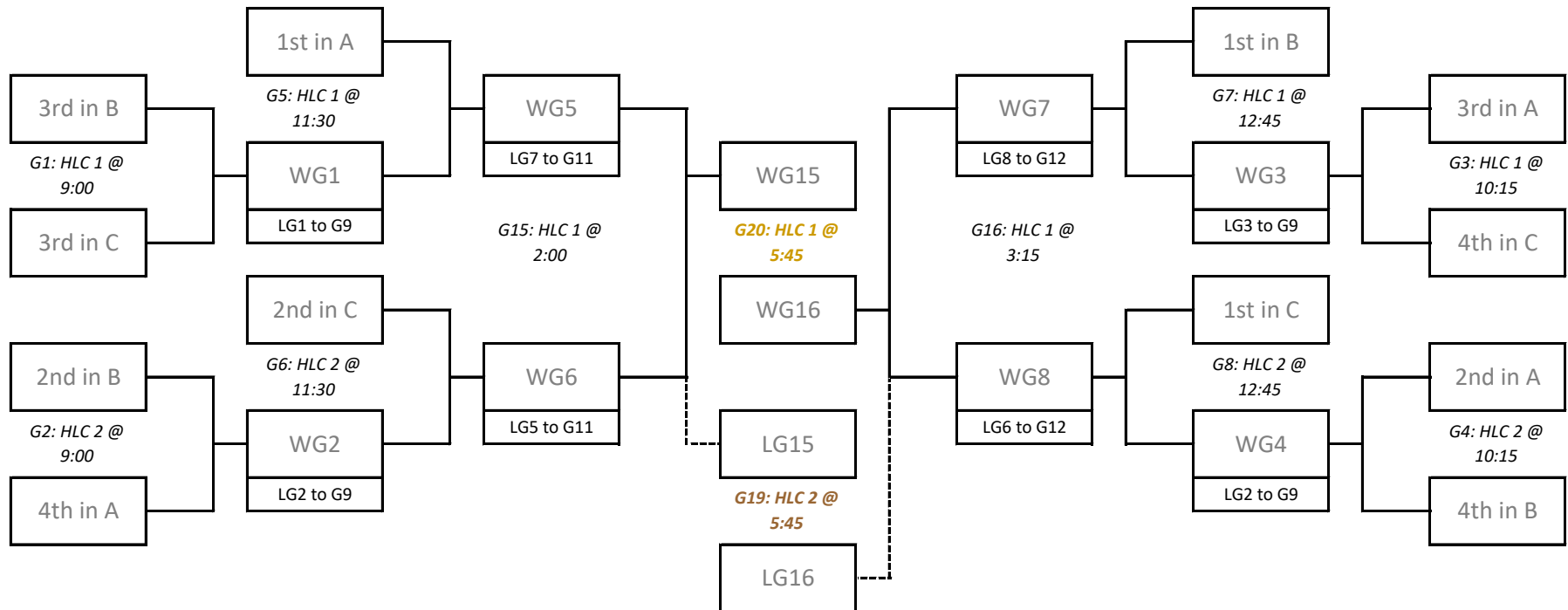
Sunday, May 5th											
Time	HLC Court 1			Time	HLC Court 2			Time	Henry Champ		
9:00	3rd in B	G1	3rd in C	9:00	2nd in B	G2	4th in A				
10:15	3rd in A	G3	4th in C	10:15	2nd in A	G4	4th in B				
11:30	1st in A	G5	WG1	11:30	2nd in C	G6	WG2	11:30	LG1	G9	LG2
12:45	1st in B	G7	WG3	12:45	1st in C	G8	WG4	12:45	LG3	G10	LG4
2:00	WG5	G15	WG6	2:00	LG5	G11	LG6	2:30	LG9	G13	LG10
3:15	WG7	G16	WG8	3:15	LG7	G12	LG8	3:45	WG9	G14	WG10
4:30	WG11	G18	WG12	4:30	LG11	G17	LG12				
5:45	WG15	G20	WG16	5:45	LG15	G19	LG16				

# 2024 18U Girls Provincial Championships

Saturday, May 4th and Sunday, May 5th  
Brandon University



## Championship Playoff Bracket



WG20
<b>1st</b>

LG20
<b>2nd</b>

WG19
<b>3rd</b>

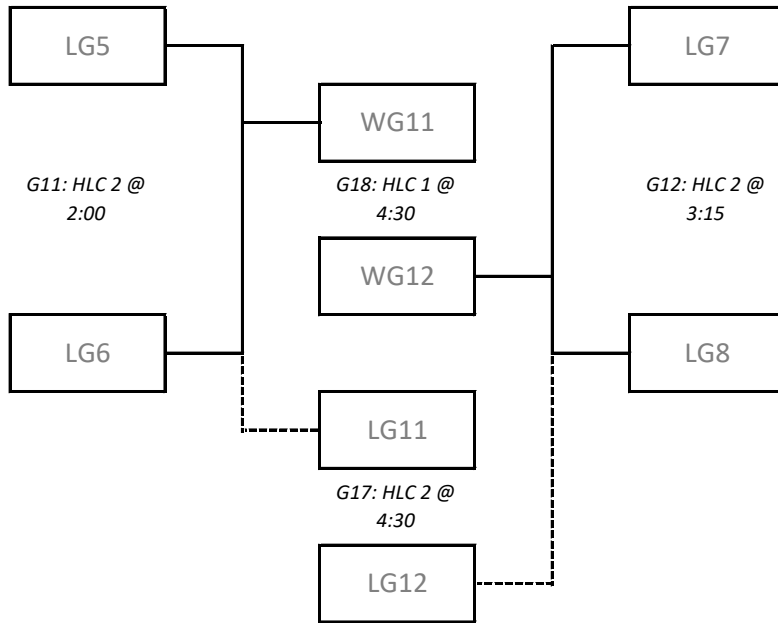
LG19
<b>4th</b>

# 2024 18U Girls Provincial Championships

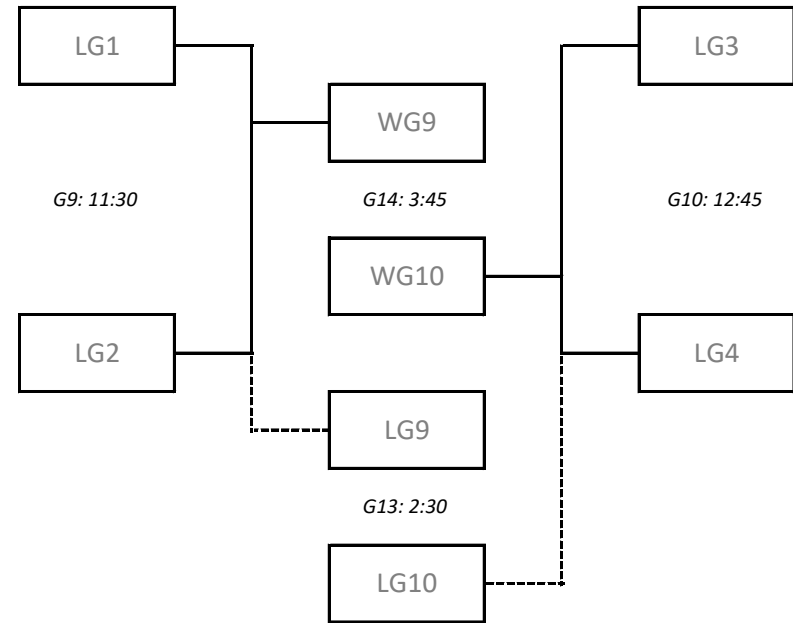
Saturday, May 4th and Sunday, May 5th  
Brandon University



## Playoff Bracket - 5th-8th (in HLC)



## Playoff Bracket - 9th-12th (in Henry Champ Gym)



WG18  
5th

LG18  
6th

WG17  
7th

LG17  
8th

WG14  
9th

LG14  
10th

WG13  
11th

LG13  
12th



# 2024 18U Girls Provincial Championships

Saturday, May 4th and Sunday, May 5th  
Brandon University



## Tournament Format & Rules

All standard Volleyball Canada Age Class Rules will be observed, with the exception/inclusion of the following:

For each match, the competing teams will be required to provide 1 volunteer each to act as scorekeepers for the match  
Volleyball Canada National Championship Warm-up Protocol **will be utilized** at Volleyball Manitoba Premier and Provincial Events

All matches will be played:

Best two-out-of-three sets

First two sets are to 25, win by 2, no cap

Third set (if necessary) is played to 15, win by 2, no cap

Two 30-second time-outs per team per set

**Warm-ups will consist of:**

- Minimum 4 minutes shared court

- 4 minutes Team A full court

- 4 minutes Team B full court

- "Digging warm-up" during opposing team's court time is not permitted

- Referees/Tournament Supervisors will have final say over warm-up times if the tournament is running behind

Playoff seeding will be determined by:

Total matches won

Please refer to the Volleyball Canada Rule Book for Tie-breaking procedures

If the event is running ahead of schedule, matches may start early as long as both teams and the referee(s) agree

Matches may not begin more than 30 minutes ahead of their scheduled start time

Coaches will receive wrist-bands in their team package at check-in; these wrist-bands must be worn in order to be on the bench

Please note: at the 18U Age Category, the following Age Class Specific rules apply:

- 12-substitutions **unlimited**

- 18U Girls Net height measures 2.24m

- The Mikasa V200W will be used